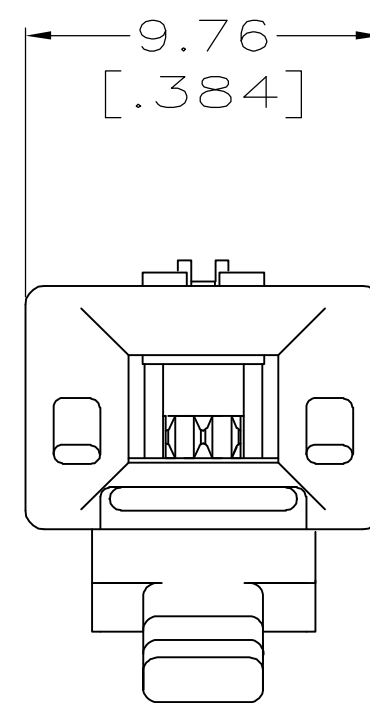
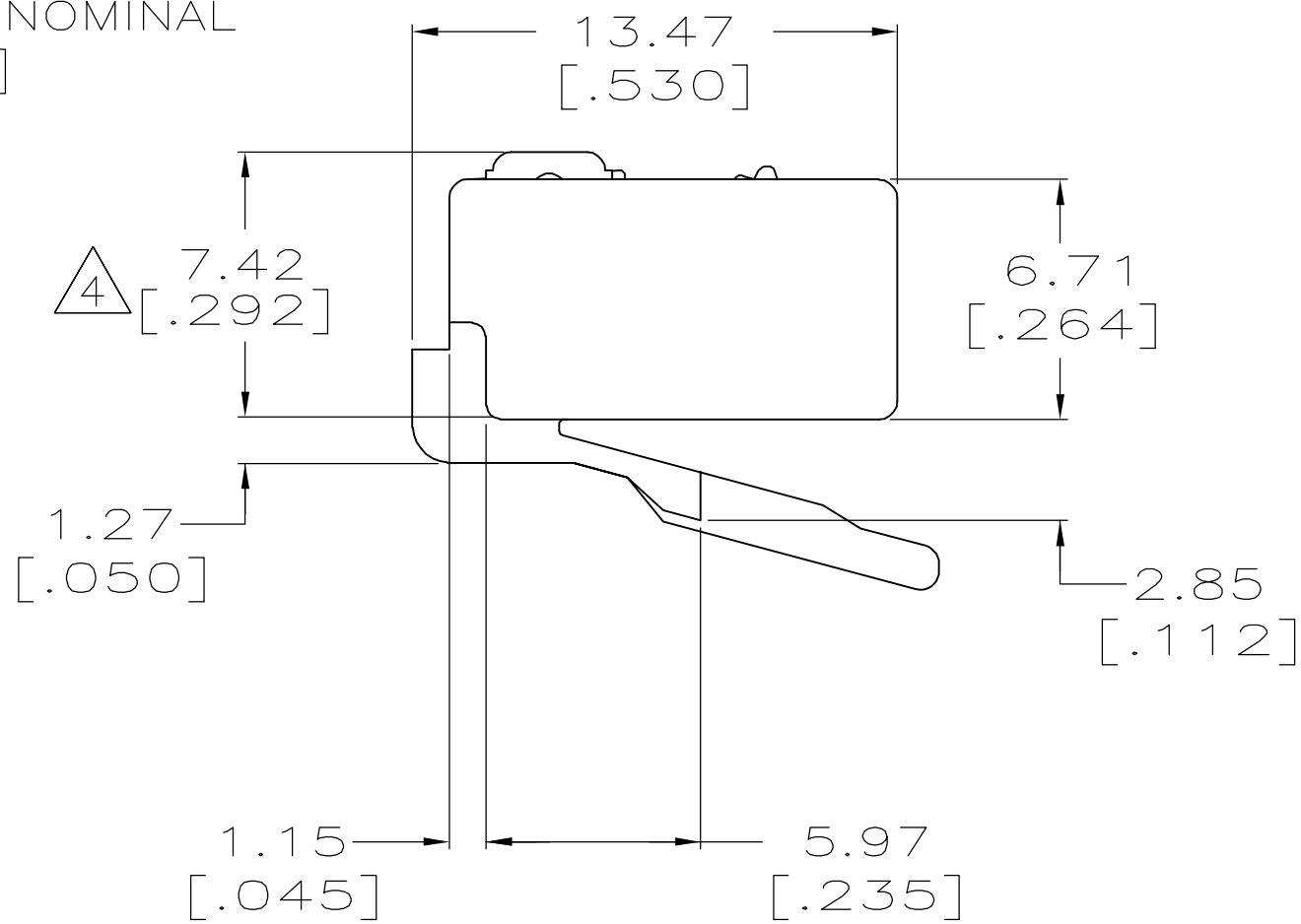
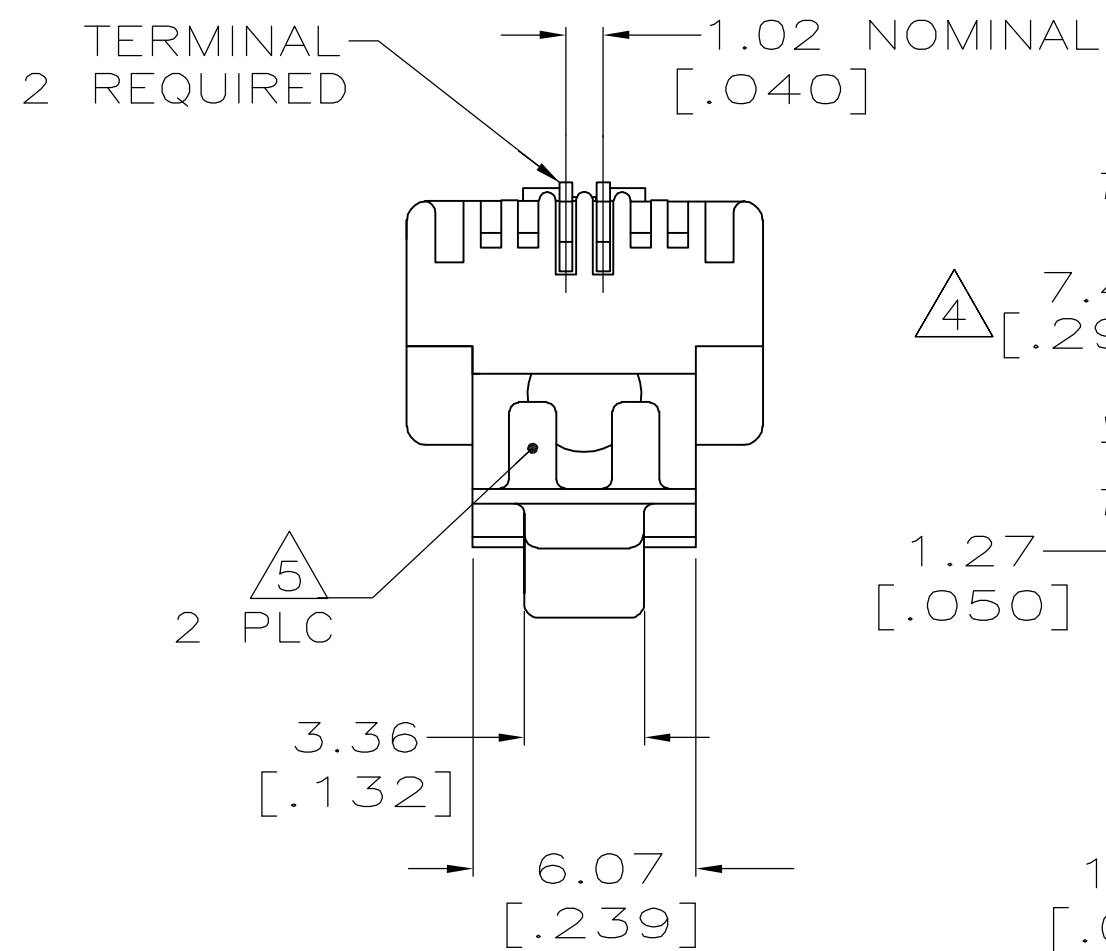
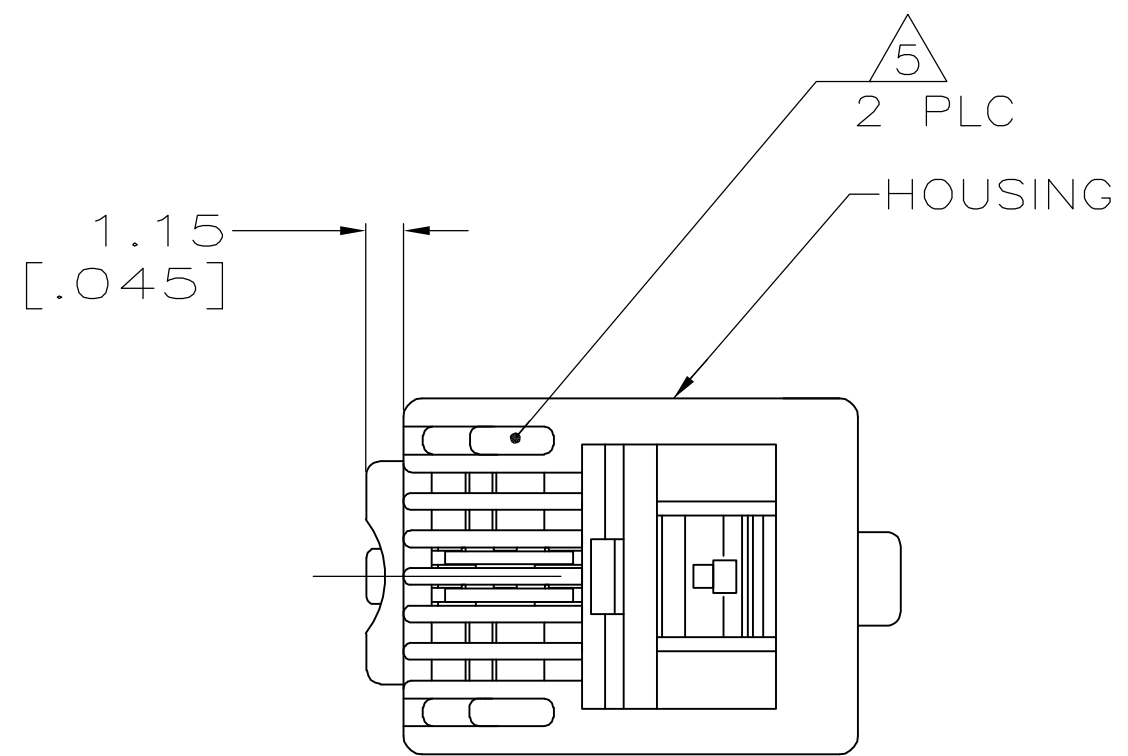


THIS DRAWING IS UNPUBLISHED. RELEASED FOR PUBLICATION
 © COPYRIGHT BY TYCO ELECTRONICS CORPORATION. ALL RIGHTS RESERVED.

LOC	DIST	REVISIONS			GG	EL	
HM	00	P	LTR	DESCRIPTION	DATE	DWN	APVD
		N		SUPSD -1, ECO-06-026687	20FEB07	LH	CD



- ALL DIMENSIONS SHOWN ARE FOR REFERENCE ONLY UNLESS OTHERWISE SPECIFIED.
- MATERIAL: HOUSING-POLYCARBONATE CLEAR.
 TERMINAL- 0.36[.014] THICK PHOS BRONZE PLATED WITH 1.27um[.000050] MINIMUM THICK GOLD IN LOCALIZED GOLD PLATE AREA, GOLD FLASH ON THE REMAINDER, OVER 2.54um [.000100] MINIMUM THICK NICKEL UNDERPLATE..
- PLUG WILL EXCEPT 26 OR 28 AWG STRANDED OR TINSEL WIRE HAVING A MAXIMUM INSULATION OF $\phi 0.99[.039]$ AND A MAXIMUM OVAL CABLE JACKET OF 2.29x4.06 [.090x.160].
- TERMINATED DIMENSION TO MEET FCC REQUIREMENTS .237±.005.
- REELED PRODUCT ON STRIP DOES NOT HAVE VOID CORING ILLUSTRATED ON THIS DRAWING.

SUPSD BY 5-641333-2	1000 PER BOX	5-641333-2
	REELED 5 (triangle symbol)	641333-1
	DESCRIPTION	PART NO.
THIS DRAWING IS A CONTROLLED DOCUMENT. DWN L. HALL 20FEB2007 CHK C. DOOLEY 20FEB2007 APVD C. DOOLEY 20FEB2007 PRODUCT SPEC 108-1163 APPLICATION SPEC 114-6016 MATERIAL - 2 (triangle symbol) FINISH - 2 (triangle symbol) TOLERANCES UNLESS OTHERWISE SPECIFIED: 0 PLC ± - 1 PLC ± - 2 PLC ± - 3 PLC ± - 4 PLC ± - ANGLES ± - FINISH - 2 (triangle symbol)		
Tyco Electronics Corporation Harrisburg, PA 17105-3608		RESTRICTED TO -
NAME	SIZE	CAGE CODE
MODULAR PLUG ASSEMBLY, 2 POSITION, LINE STRANDED WIRE	A2	00779
DRAWING NO	DRAWING NO	REV
C=641333	SCALE 5:1	SHEET 1 OF 1
CUSTOMER DRAWING		REV N